

PRODUCT DATA SHEET (ver.01/10.2014)



1. Name

Watertight cabinets for heating and water installations and cabinet masking panels

2. The features and application of the product

The watertight cabinets are used for mounting of water and heating installation branching. Tightness of the cabinets is accomplished with a system of synthetic material sealing. A plastic partition installed inside play an additional protective function in case of water leakage.

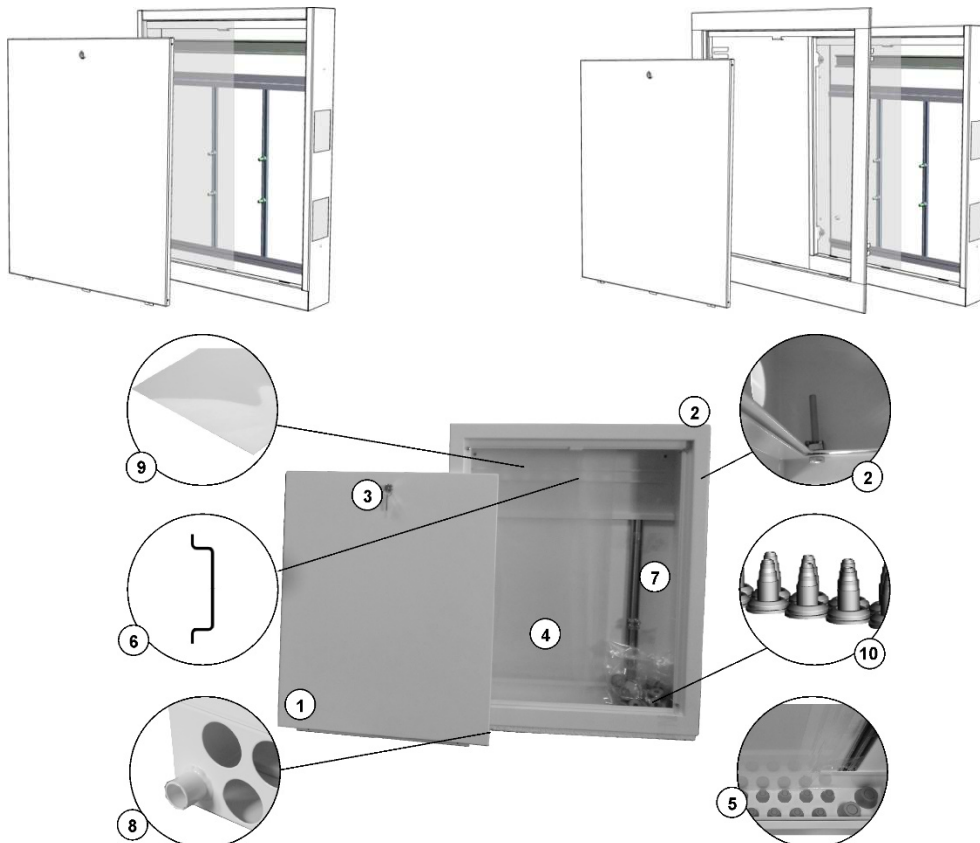
The cabinets are designed for wall surface installation and after application of an additional masking panel they adapt ideally for flush mounting. The cabinets are adapted for the Scandinavian system "tube in tube" that counters the results of possible leaks.

3. Construction

A) A watertight cabinet for heating and water installations:

A watertight cabinet for heating installations

A watertight cabinet for heating installations with application of an additional masking panel

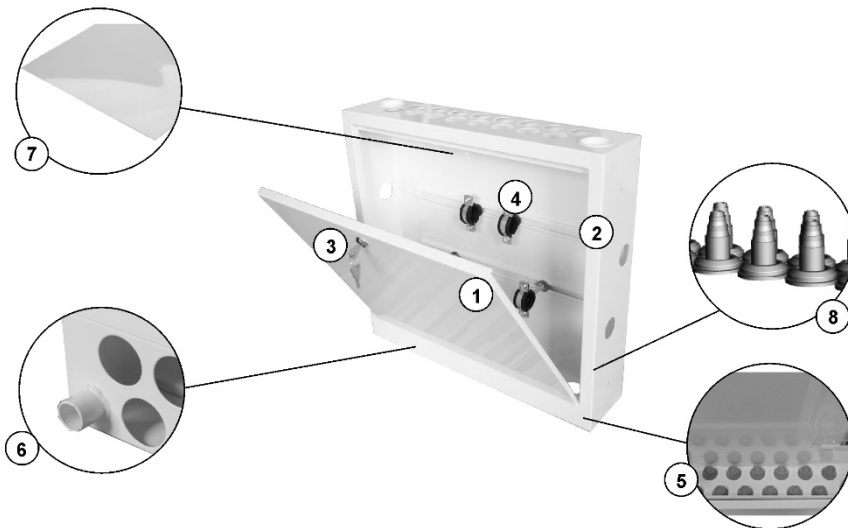
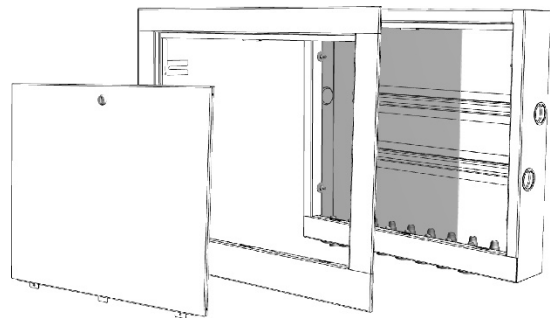
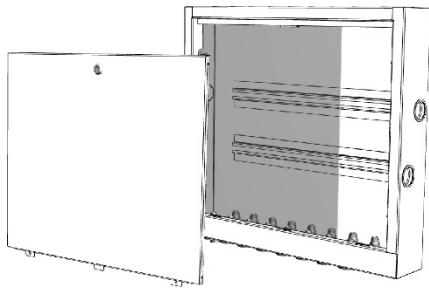


1. Door
2. Masking panel with depth adjustment*(as an additional option product)
3. Lock
4. Body
5. Installation holes
6. DIN mounting rail
7. Rails for mounting of branching
8. Outflow length 27 mm, dia. 25 mm
9. Protective panel made from Plexiglas sheet
10. Glands for sealing connections

B) A watertight cabinet for drinking water installations:

A watertight cabinet for drinking water installations:

A watertight cabinet for heating installations with application of an additional masking panel



1. Door
2. Body
3. Lock
4. Branching assembly brackets
5. Installation holes
6. Water outflow length 27 mm, dia. 25 mm
7. 9. Protective panel made from Plexiglas sheet
8. Glands for sealing connections

4. Principle of operation

A) Watertight cabinets for heating installations

The cabinets are mounted either in a wall chase or on a building wall. The door is provided with a coin-operated lock

Assembly of devices inside the cabinet is facilitated by mounting rails with adjustable spacing. In case of the household water installations cabinets they are factory provided with the branching mounting rail brackets. The rails are provided with a set of mounting bolts.

Thanks to application of the DIN mounting rail in the cabinets dedicated for heating installations it is also possible to connect electronic control devices. The cabinets are provided with additional sealing elements in the form of sealing glands for tube connections and protective panels preventing splashing of water upon the cabinet opening in case of leakage.

The cabinets feature factory made assembly holes allowing for access of installations.

B) Watertight cabinets for drinking water installations

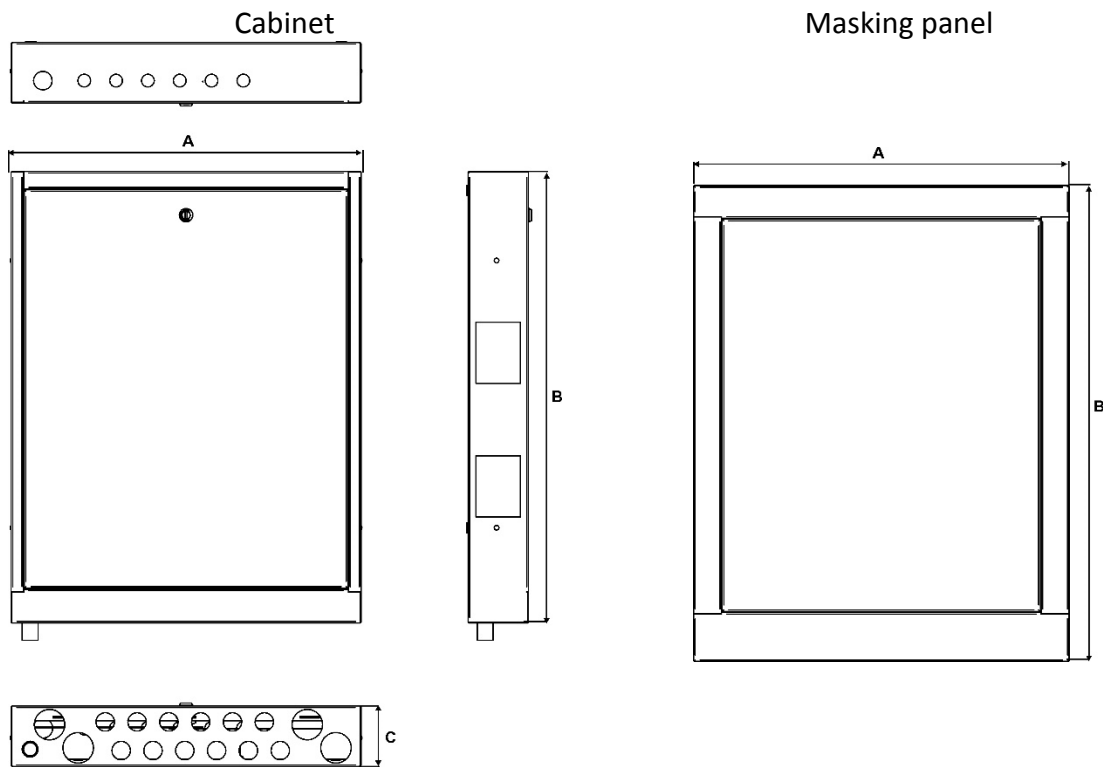
The cabinets are mounted either in a wall chase or on a building wall. The door is provided with a coin-operated lock

Assembly of devices inside the cabinet is facilitated by mounting rails with adjustable spacing. The cabinet is factory provided with assembly brackets of the branching beams. The rails are provided with a set of mounting bolts.

The both types of the cabinets feature the possibility of mounting of a masking panel enabling mounting of the cabinet inside of a wall chase and aesthetic masking of the assembly hole. The cabinet masking panel features dimensions adapted for the cabinet door. The masking panel can be moved out up to 50 mm.

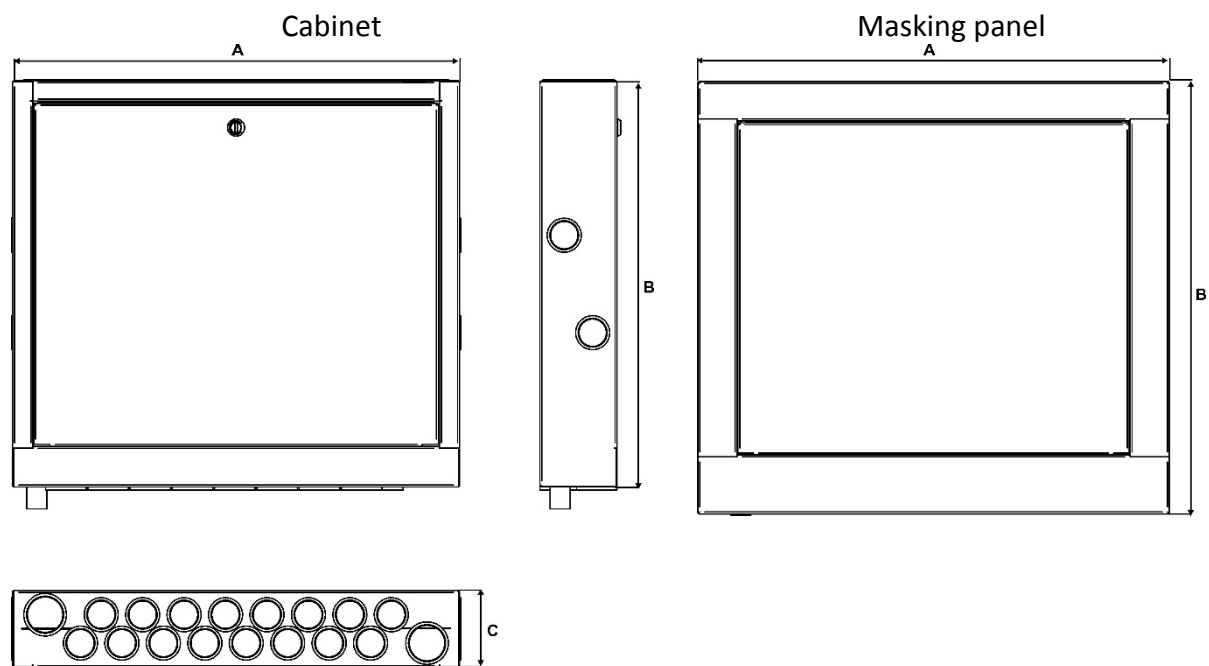
5. Dimensions

A) Watertight cabinets for heating installations



Dimension	Dimensions [mm]		
	Width A	Height B	Depth C
A watertight cabinet for drinking water installations			
550	550	710	95
850	850	710	95
1150	1150	710	95
A masking panel for a watertight cabinet for drinking water			
550	600	750	Adjustment 50
850	900	750	Adjustment 50
1150	1200	750	Adjustment 50

B) Watertight cabinets for drinking water installations



Dimension	Dimensions [mm]		
	Width A	Height B	Depth C
A watertight cabinet for drinking water installations			
390	390	500	95
550	550	500	95
800	800	500	95
A masking panel for a watertight cabinet for drinking water			
390	440	550	Adjustment 50
550	600	550	Adjustment 50
800	850	550	Adjustment 50

6. Technical parameters and materials used

Cabinet tightness to the level of 50 mm

Sub-assembly	A cabinet for heating installations	A cabinet for drinking water installations
Body	Powder coated carbon steel sheet	Powder coated carbon steel sheet
Masking panel	Powder coated carbon steel sheet	Powder coated carbon steel sheet
Door	Powder coated carbon steel sheet	Powder coated carbon steel sheet
Assembly rails	Zinc-plated steel sheet	Powder coated carbon steel sheet
Lock	Steel / Plastic	Steel / Plastic
Cover	Plexiglas	-
Reducing plugs	Rubber	-

7. Codes

Watertight cabinets for heating installations		
Code	Name	Accessories
9-3482-115-01-35-01	A WATERTIGHT CABINET FOR HEATING INSTALLATIONS 1150X710X95	Reducing plugs, Plexiglas sheets
9-3482-550-01-35-01	A WATERTIGHT CABINET FOR HEATING INSTALLATIONS 550X710X95	Reducing plugs, Plexiglas sheets
9-3482-850-01-35-01	A WATERTIGHT CABINET FOR HEATING INSTALLATIONS 850X710X95	Reducing plugs, Plexiglas sheets
9-3483-115-01-35-01	A MASKING PANEL FOR A WATERTIGHT CABINET FOR HEATING INSTALLATIONS 1150X710X95	-
9-3483-550-01-35-01	A MASKING PANEL FOR A WATERTIGHT CABINET FOR HEATING INSTALLATIONS 550X710X95	-
9-3483-850-01-35-01	A MASKING PANEL FOR A WATERTIGHT CABINET FOR HEATING INSTALLATIONS 850X710X95	-
Watertight cabinets for drinking water installations		
Code	Name	Accessories
9-3582-390-01-35-01	A WATERTIGHT CABINET FOR HOUSEHOLD WATER INSTALLATIONS 390X500X95	Reducing plugs, Plexiglas sheets
9-3582-550-01-35-01	A WATERTIGHT CABINET FOR HOUSEHOLD WATER INSTALLATIONS 550X500X95	Reducing plugs, Plexiglas sheets
9-3582-800-01-35-01	A WATERTIGHT CABINET FOR HOUSEHOLD WATER INSTALLATIONS 800X500X95	Reducing plugs, Plexiglas sheets
9-3583-390-01-35-01	A MASKING PANEL FOR A WATERTIGHT CABINET FOR HOUSEHOLD WATER INSTALLATIONS 390X500X95	-
9-3583-550-01-35-01	A MASKING PANEL FOR A WATERTIGHT CABINET FOR HOUSEHOLD WATER INSTALLATIONS 550X500X95	-
9-3583-800-01-35-01	A MASKING PANEL FOR A WATERTIGHT CABINET FOR HOUSEHOLD WATER INSTALLATIONS 800X500X95	-

8. Logistic data

Product code	Unit packaging	Packaging
	Quantity [pcs]	[mm]
Watertight cabinets for heating installations		
9-3572-115-01-35-01	1	1160x100x745
9-3572-550-01-35-01	1	860x100x745
9-3572-850-01-35-01	1	560x100x745
Watertight cabinets for heating installations		
9-3483-115-01-35-01	5	1230x370x805
9-3483-550-01-35-01	5	930x370x805
9-3483-850-01-35-01	5	630x370x805
Watertight cabinets for drinking water installations		
9-3582-390-01-35-01	1	450x60x555
9-3582-550-01-35-01	1	610x60x555
9-3582-800-01-35-01	1	860x60x555
A masking panel for a watertight cabinet for drinking water installations		
9-3583-390-01-35-01	5	470x370x595
9-3583-550-01-35-01	5	630x370x595
9-3583-800-01-35-01	5	880x370x595

9. Advantages

- High quality of make controlled continuously during the manufacturing process
- Solid structure assuring stability of a cabinet and reliability of mounting of a branching
- A number of mounting holes for pipeline access provides universality of power installation connection from any side
- Large, removable door provides unobstructed access to the cabinet interior
- High-quality of paint coating on the cabinet masking panel and door guarantee substantial resistance to corrosion

10. Warranty and liability

During installation works, the occupational health and safety regulations in the construction regulations and standards must be met. Capricorn S.A. provides for the branching cabinets destined for mounting of fixtures of heating and sanitary systems the statutory warranty as from the date of sale, provided that the following conditions are met:

- 1) All products should be used in accordance with their intended purpose.
- 2) Proper storage conditions should be ensured i.e.:
 - a) no exposure to direct sunlight
 - b) no exposure to humidity
 - c) transport and storage in horizontal position, on an even, flat surface that minimizes the risk of deformation and damage;
 - d) protection against mechanical damage during transport, loading, unloading and storage
- 3) Installation by a properly qualified and licensed person in accordance with the technical guidelines, standards and instructions specified by Capricorn.
- 4) The cabinet width should be selected correctly with consideration of the branching width - preserving 10 cm gap
- 5) In case of the flush mounted cabinets a chase should be made in the wall corresponding with the cabinet size in respect of its width, height and depth
- 6) The assembly holes for installation access should be made prior to mounting of the cabinet
- 7) The holes should be made without using high revolution speed tools
- 8) The cabinet must be levelled and fixed permanently to the wall
- 9) The cabinet must be used in accordance with its intended purpose
- 10) The cabinets must not be used at locations where substances that can react with the metal or plastic elements appear
- 11) After fixing the cabinet must be tightened well - all the bolts must be tightened sufficiently - there should not be any loose elements - the installer is responsible for fixing of the cabinet
- 12) Fixing should be realized according to the state-of-the-art practices in construction
- 13) In case of the cabinets with the masking panel and the ABS door (DiviBox cabinets) they can be painted using paints that feature adhesion to ABS - e.g. latex paints.

11. Manufacturer:

Capricorn S.A.

58-160 Świebodzice, Ciernie 11
Phone/telefax +48/74/854 05 16
www.capricorn.pl
e-mail: capricorn@capricorn.pl

The products, texts, images, drawings or charts in this document may be changed by Capricorn S.A. without giving prior notice or a reason. For the latest information about our products we invite you to visit our website www.capricorn.pl.